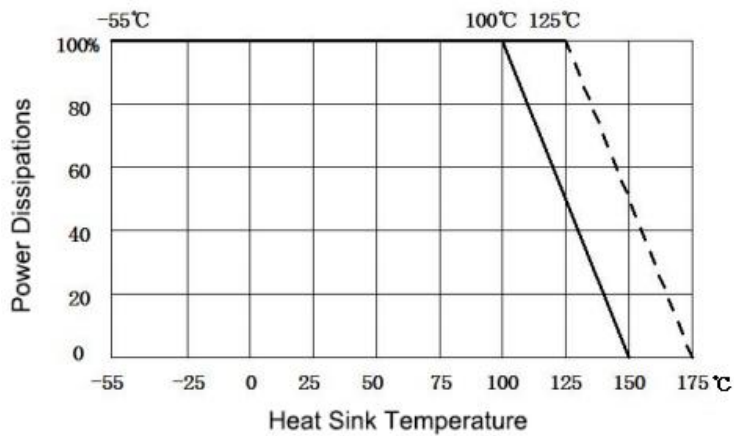


Tab & Cover Attenuators

Electrical Features

- ◇ **Input Impedance:** 50Ω
- ◇ **Substrate Material:** Aluminum Nitride (AlN)
- ◇ **Power Rating:** 100W-250W
- ◇ **Attenuation Value:** 30dB
- ◇ **Attenuation Tolerance:** ±1.0dB
- ◇ **Operating Temperature:** -55°C to +150°C
- ◇ **Temperature Coefficient:** ±150ppm/°C
- ◇ **RoHS Compliant**

Power Derating



HOW TO ORDER

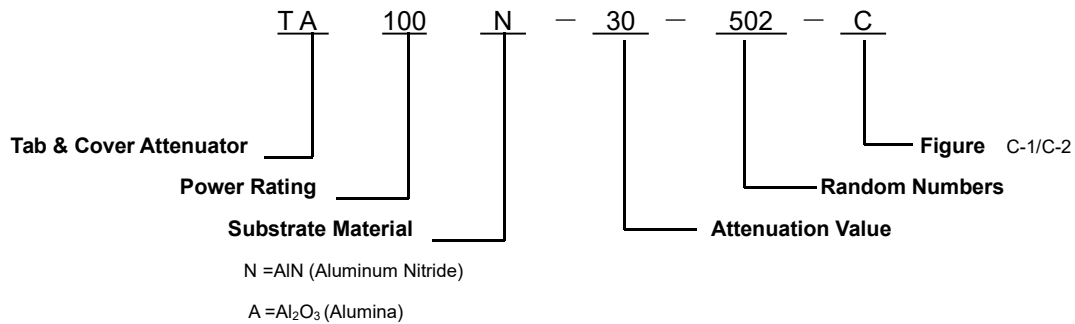


Figure C-1

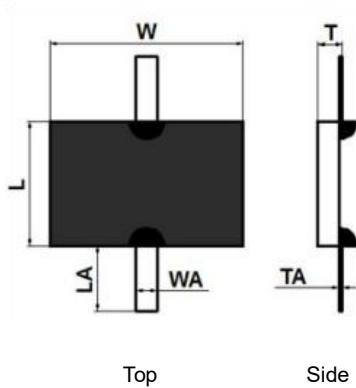
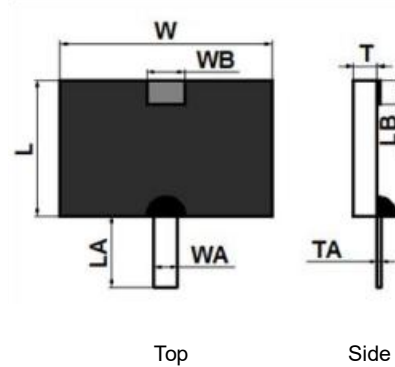


Figure C-2



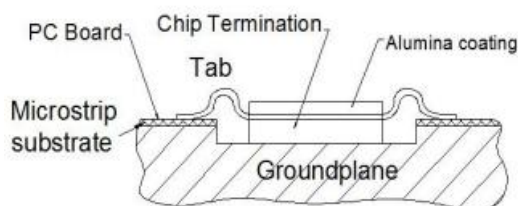
General Specifications and Dimensions

Part Number	Power Rating (W)	Freq. (GHz)	Atten. (dB)	VSWR (Max.)	Dimensions (mm)								Outline Drawing
					L	W	T	WB	LB	LA	WA	TA	
TA100N-30-501C	100	DC-3	30	1.20:1	5.7	8.9	1.2	/	/	6.0	1.0	0.1	Figure C-1
TA150N-30-323C	150	DC-3	30	1.20:1	6.35	9.5	1.0	/	/	6.0	1.0	0.1	Figure C-1
TA250N-30-014C	250	DC-3	30	1.25:1	9.5	9.5	1.5	/	/	5.0	1.0	0.1	Figure C-1
TA100N-30-502C	100	DC-3	30	1.20:1	5.7	8.9	1.2	1.5	1.0	6.0	1.0	0.1	Figure C-2
TA150N-30-371C	150	DC-3	30	1.20:1	6.35	9.5	1.0	2.4	1.05	4.5	1.4	0.1	Figure C-2
TA250N-30-007C	250	DC-3	30	1.25:1	9.5	9.5	1.5	1.5	1.1	2.44	1.4	0.1	Figure C-2

* Customized products are available, please consult with Kete.

Installation Instructions

1. When welding devices or leads, it is best to use a temperature-controlled soldering iron and keep the temperature at 260°C.
2. It is best to make an arch bridge shape at the lead (as shown), which can release the ability of thermal deformation to ensure good contact at the lead. Install the lead as little as possible to prevent the lead break.



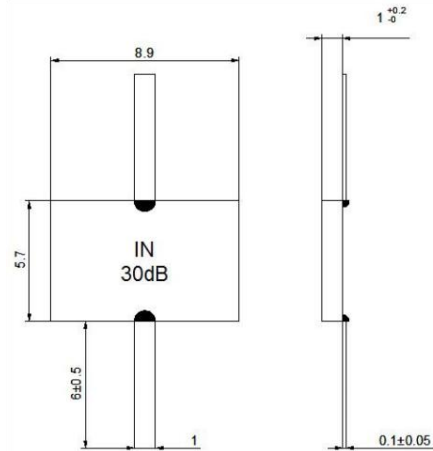
Tab & Cover Attenuators

Part Number: TA100N-30-501C

Electrical Specifications

- ✧ **Input Impedance:** 50 Ω
- ✧ **Substrate Material:** AlN
- ✧ **Power Rating:** 100W
- ✧ **Frequency Range:** DC-3GHz
- ✧ **Attenuation Value:** 30dB
- ✧ **Attenuation Tolerance:** ±1.0dB
- ✧ **VSWR (Max.):** 1.20:1
- ✧ **Operating Temperature:** -55°C to +150°C
- ✧ **Temperature Coefficient:** ±150ppm/°C
- ✧ **RoHS Compliant**

Outline Drawing (mm)

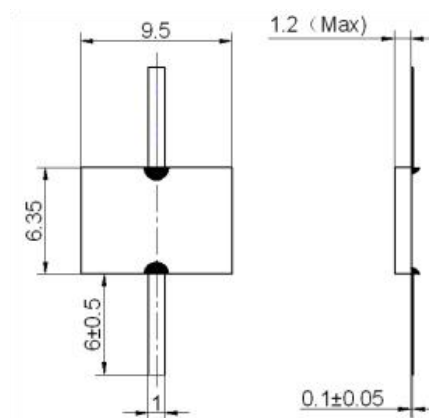


Part Number: TA150N-30-323C

Electrical Specifications

- ✧ **Input Impedance:** 50 Ω
- ✧ **Power Rating:** 150W
- ✧ **Substrate Material:** AlN
- ✧ **Frequency Range:** DC-3GHz
- ✧ **Attenuation Value:** 30dB
- ✧ **Attenuation Tolerance:** ±1.0dB
- ✧ **VSWR (Max.):** 1.20:1
- ✧ **Operating Temperature:** -55°C to +150°C
- ✧ **Temperature Coefficient:** ±150ppm/°C
- ✧ **RoHS Compliant**

Outline Drawing (mm)



Part Number: TA250N-30-014C

Electrical Specifications

- ✧ **Input Impedance:** 50 Ω
- ✧ **Substrate Material:** AlN
- ✧ **Power Rating:** 250W
- ✧ **Frequency Range:** DC-3GHz
- ✧ **Attenuation Value:** 30dB
- ✧ **Attenuation Tolerance:** ±1.0dB
- ✧ **VSWR (Max.):** 1.25:1
- ✧ **Operating Temperature:** -55°C to +150°C
- ✧ **Temperature Coefficient:** ±150ppm/°C
- ✧ **RoHS Compliant**

Outline Drawing (mm)

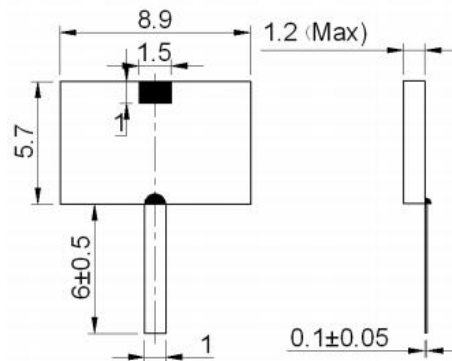
Tab & Cover Attenuators

Part Number: TA100N-30-502C

Electrical Specifications

- ✧ **Input Impedance:** 50 Ω
- ✧ **Substrate Material:** AlN
- ✧ **Power Rating:** 100W
- ✧ **Frequency Range:** DC-3GHz
- ✧ **Attenuation Value:** 30dB
- ✧ **Attenuation Tolerance:** ±1.0dB
- ✧ **VSWR (Max.):** 1.20:1
- ✧ **Operating Temperature:** -55°C to +150°C
- ✧ **Temperature Coefficient:** ±150ppm/°C
- ✧ **RoHS Compliant**

Outline Drawing (mm)

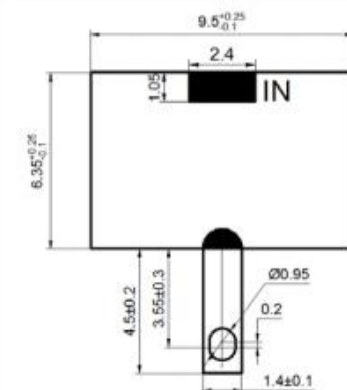


Part Number: TA150N-30-371C

Electrical Specifications

- ✧ **Input Impedance:** 50 Ω
- ✧ **Substrate Material:** AlN
- ✧ **Power Rating:** 150W
- ✧ **Frequency Range:** DC-3GHz
- ✧ **Attenuation Value:** 30dB
- ✧ **Attenuation Tolerance:** ±1.0dB
- ✧ **VSWR (Max.):** 1.20:1
- ✧ **Operating Temperature:** -55°C to +150°C
- ✧ **Temperature Coefficient:** ±150ppm/°C
- ✧ **RoHS Compliant**

Outline Drawing (mm)



Part Number: TA250N-30-007C

Electrical Specifications

- ✧ **Input Impedance:** 50 Ω
- ✧ **Substrate Material:** AlN
- ✧ **Power Rating:** 250W
- ✧ **Frequency Range:** DC-3GHz
- ✧ **Attenuation Value:** 30dB
- ✧ **Attenuation Tolerance:** ±1.0dB
- ✧ **VSWR (Max.):** 1.25:1
- ✧ **Operating Temperature:** -55°C to +150°C
- ✧ **Temperature Coefficient:** ±150ppm/°C
- ✧ **RoHS Compliant**

Outline Drawing (mm)

